

UMK-SE 11,25-1 - Lateral element



2970442

<https://www.phoenixcontact.com/us/products/2970442>

Please be informed that the data shown in this PDF document is generated from our online catalog. Please find the complete data in the user documentation. Our general terms of use for downloads are valid.

Side element, 11.25 mm wide, without marker groove



Commercial data

| | |
|--------------------------------------|---------------------|
| Item number | 2970442 |
| Packing unit | 50 pc |
| Minimum order quantity | 50 pc |
| Sales key | AC13 |
| Product key | ACHDCA |
| Catalog page | Page 760 (C-1-2013) |
| GTIN | 4017918087722 |
| Weight per piece (including packing) | 5.497 g |
| Weight per piece (excluding packing) | 5.497 g |
| Customs tariff number | 85389099 |
| Country of origin | PL |

UMK-SE 11,25-1 - Lateral element

2970442

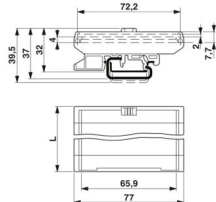
<https://www.phoenixcontact.com/us/products/2970442>

Technical data

Product properties

| | |
|----------------|-------------------------------|
| Product type | Panel mounting base side part |
| Housing type | Press-drawn section housings |
| Housing series | UMK |
| Product family | UMK SE |
| Type | Lateral element |

Dimensions

| | |
|---------------------|---|
| Dimensional drawing |  |
| Length | 11.25 mm |

External dimensions

| | |
|--------------------------|-------|
| Profile width (external) | 77 mm |
|--------------------------|-------|

Internal dimensions

| | |
|--------------------------|---------|
| Profile width (internal) | 72.2 mm |
|--------------------------|---------|

Material specifications

| | |
|--|------------------|
| Color (Housing) | green (RAL 6021) |
| Flammability rating according to UL 94 | V2 |
| Housing material | Polyamide |

Environmental and real-life conditions

Ambient conditions

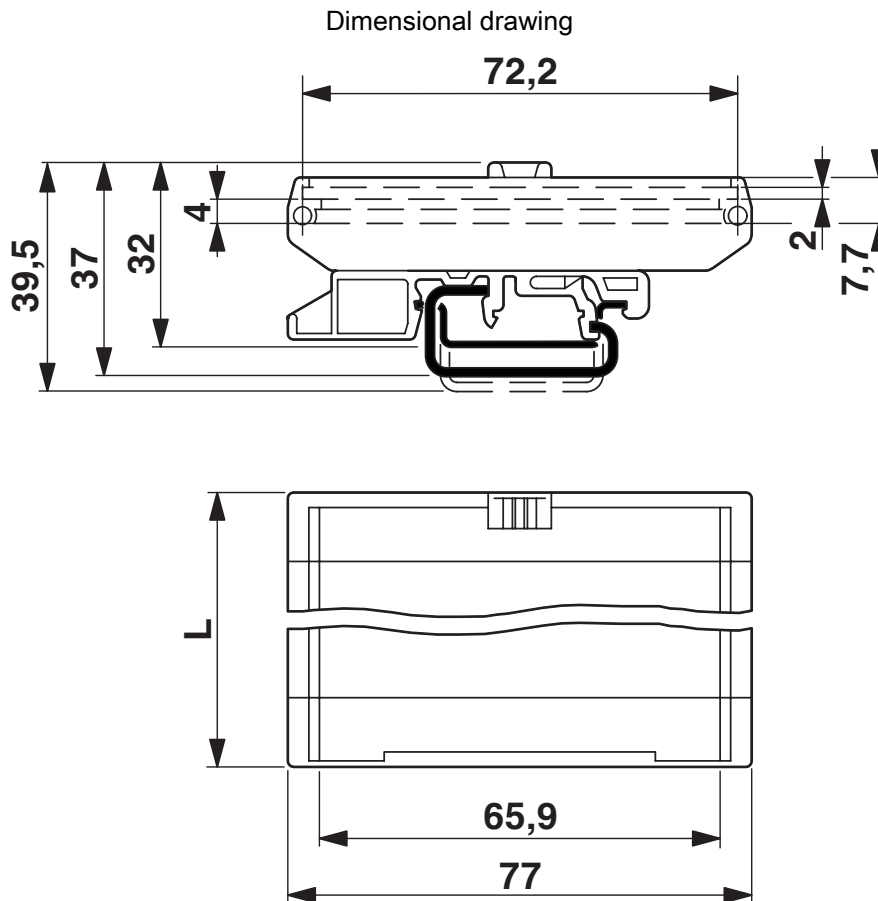
| | |
|---------------------------------|--|
| Ambient temperature (operation) | -40 °C ... 105 °C (depending on power dissipation) |
|---------------------------------|--|

UMK-SE 11,25-1 - Lateral element

2970442

<https://www.phoenixcontact.com/us/products/2970442>

Drawings



UMK-SE 11,25-1 - Lateral element



2970442

<https://www.phoenixcontact.com/us/products/2970442>

Approvals

To download certificates, visit the product detail page: <https://www.phoenixcontact.com/us/products/2970442>



UL Recognized

Approval ID: FILE E 240868

UMK-SE 11,25-1 - Lateral element



2970442

<https://www.phoenixcontact.com/us/products/2970442>

Classifications

ECLASS

| | |
|-------------|----------|
| ECLASS-11.0 | 27182701 |
| ECLASS-13.0 | 27190602 |

ETIM

| | |
|----------|----------|
| ETIM 8.0 | EC002779 |
|----------|----------|

UNSPSC

| | |
|-------------|----------|
| UNSPSC 21.0 | 31261500 |
|-------------|----------|

UMK-SE 11,25-1 - Lateral element



2970442

<https://www.phoenixcontact.com/us/products/2970442>

Environmental product compliance

EU RoHS

| | |
|---|--------------------|
| Fulfills EU RoHS substance requirements | Yes, No exemptions |
|---|--------------------|

China RoHS

| | |
|--|--|
| Environment friendly use period (EFUP) | EFUP-E |
| | No hazardous substances above the limits |

EU REACH SVHC

| | |
|-------------------------------------|----------------------------|
| REACH candidate substance (CAS No.) | No substance above 0.1 wt% |
|-------------------------------------|----------------------------|

Phoenix Contact 2024 © - all rights reserved
<https://www.phoenixcontact.com>

Phoenix Contact USA
586 Fulling Mill Road
Middletown, PA 17057, United States
(+717) 944-1300
info@phoenixcon.com